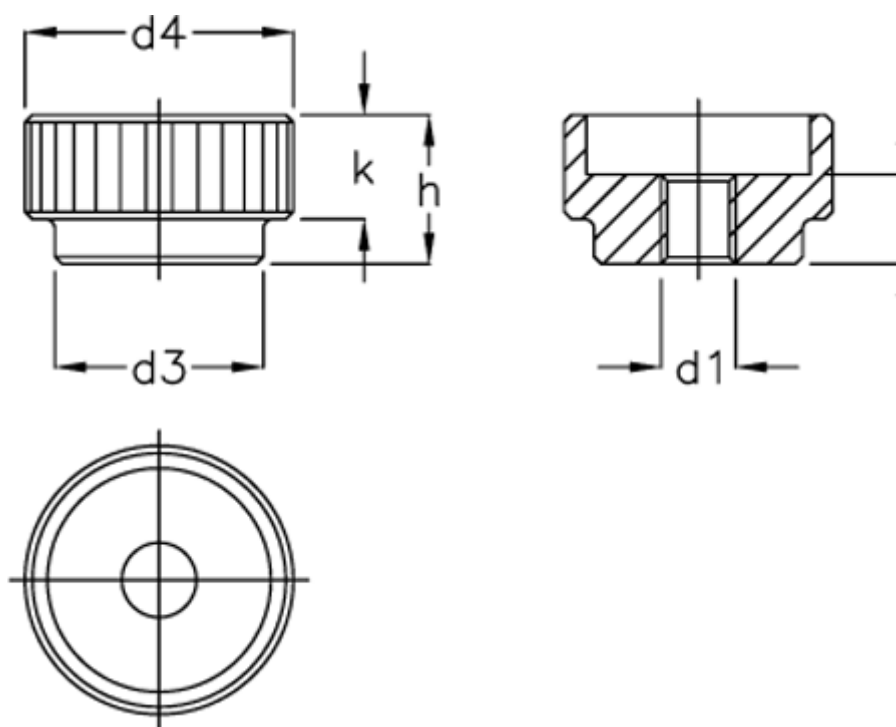


Article number: 20707511

Description: E+G Knurled nut DIN 6303-M10-A  
A without dowel hole

## Measures



$d1 = M 10$

$d3 = 28$

$d4 = 36$

$h = 20$

$k = 14$

$l = 12$